

FL 32~195



ISO 11901-2

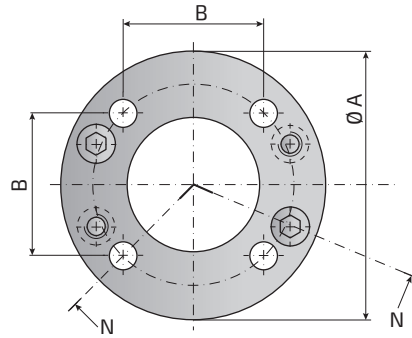
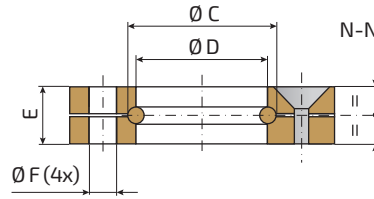


VDI 3003

This series includes the models compliant with automotive standards /
Bu sayfadaki parçalar aşağıdaki otomotiv standartlarını karşılamaktadır

BMW	BZ 4009	MB	B8 0134 300 000 001
FCA	075.90.80	Renault	EM24.54.700
General Motors	90.25.03		

Collar flange / Yaka flanş



Model Model	Reference to Standards Referans standart	For models... Modeller için...	Ø A mm	B mm	Ø C mm	Ø D mm	E mm	Ø F mm
FL 32	ISO 11901-2, VDI 3003	AGS350, IGS150, TGS700	60	35	34	32.5	9	6.6
38	ISO 11901-2, VDI 3003	AGS500, IGS250, TGS1000	68	40	40	38.5	9	6.6
45	ISO 11901-2, VDI 3003	AGS750, IGS500, LGS500	86	50	47	45.5	13	9
50	ISO 11901-2, VDI 3003	AGS1000, IGS750	95	56.5	54	50.5	13	9
63	ISO 11901-2	AGS1500, TGS3000	122	73.5	67	63.5	16	11
75	ISO 11901-2, VDI 3003	AGS2400, IGS1500, VV2385	122	73.5	80	75.5	16	11
95	ISO 11901-2, VDI 3003	AGS4200, IGS3000	150	92	100	95.5	18	13.5
120	ISO 11901-2, VDI 3003	AGS6600, IGS5000, TGS12000	175	109.5	125	120.5	21	13.5
150	ISO 11901-2, VDI 3003	AGS9500, IGS7500	220	138	155	150.5	27	17.5
195	ISO 11901-2, VDI 3003	AGS20000, IGS10000	290	170	200	195.5	27	17.5

Fixing possibilities / Montaj olasılıkları

